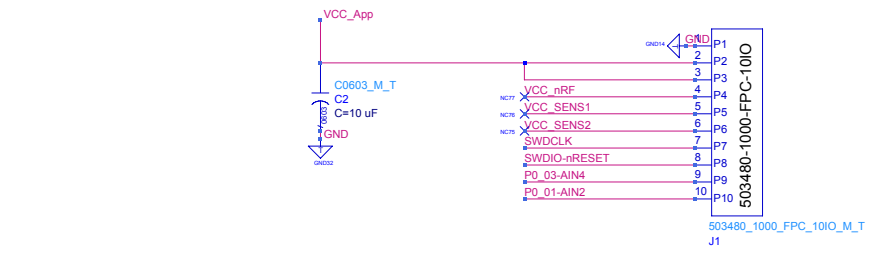
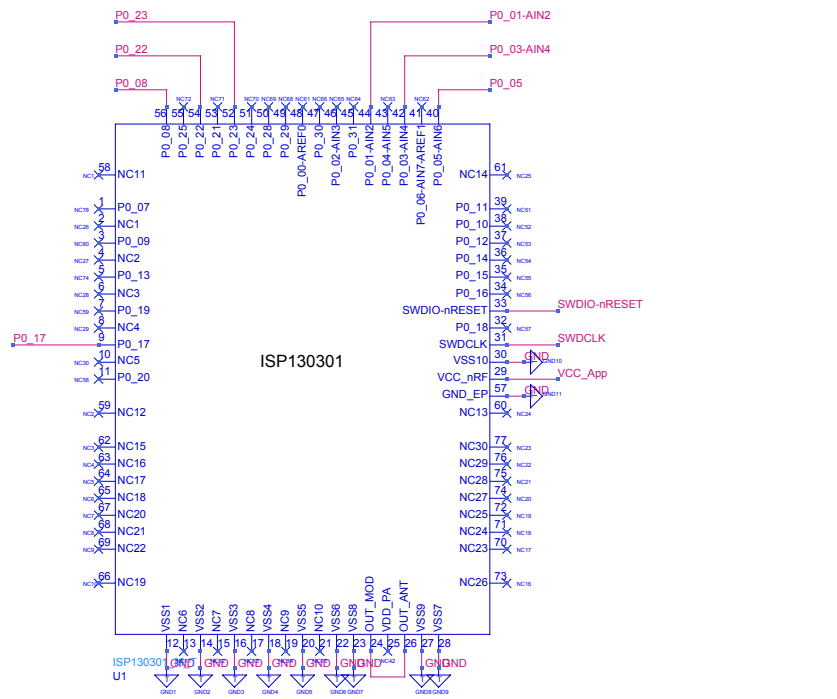


Revisions			
Rev	Description	Approved	Date
0	Initial Schematic	PC	0011/2013
A	Version for Manufacture	PC	0015/2013

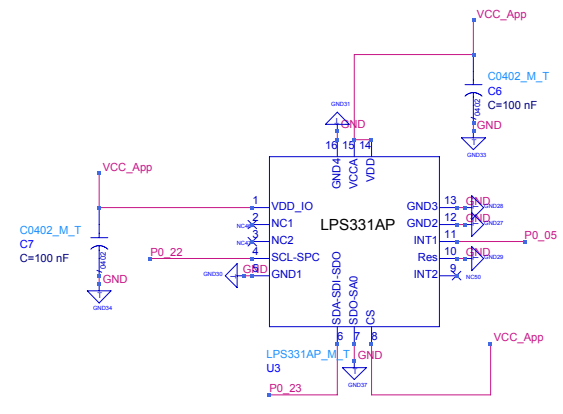
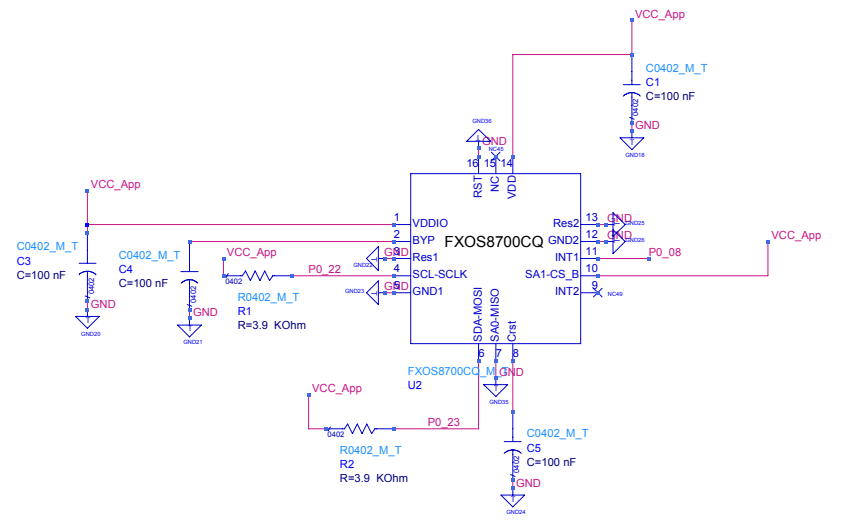
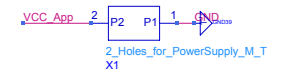
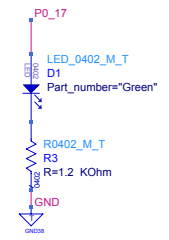
AGNEL SENSORS BOARD

技术 & 商务联系方式:
 南频科技有限公司
 陈小姐 业务工程师
 156 2521 4151
 rita.chen@dwintech.com
 www.dwintech.com
 座机 0755-82565851

Company: Insight SIP		Customer: Insight SIP	
Approvals	Date		
Drawn: Pascal CHAIS	0011113		
Checked: CHABE EL HASSANE	0011113		
Issued: Pascal CHAIS	0011113	Title: SCHEMATIC DRAWING AGNEL SENSORS BOARD	
Last Edt: 10/16/13		A1	Drawing no: SC131002
File name: SC131002			Rev: A
Scale: NA			Sheet 1/2



UART :
 P0_01-AIN2 = TXD
 P0_03-AIN4 = RXD



Insight SiP 代理商联系方式:

电话:0755-82565851

邮件:dwin100@dwintech.com

手机:156-2521-4151

网址: <http://www.dwintech.com/insight%20Pamphlet.html>

深圳市南频科技有限公司